



Compact 3 Way Toggle Switch

The New JT-1601 Toggle Switch is designed to provide Guitar manufacturers a compact silent action switch. It requires less space and does not produce the noise that old style toggles are known to have.

JT-1601

- On-On-On Toggle
- Requires Less Space
- Produces Less Noise



Compact Size



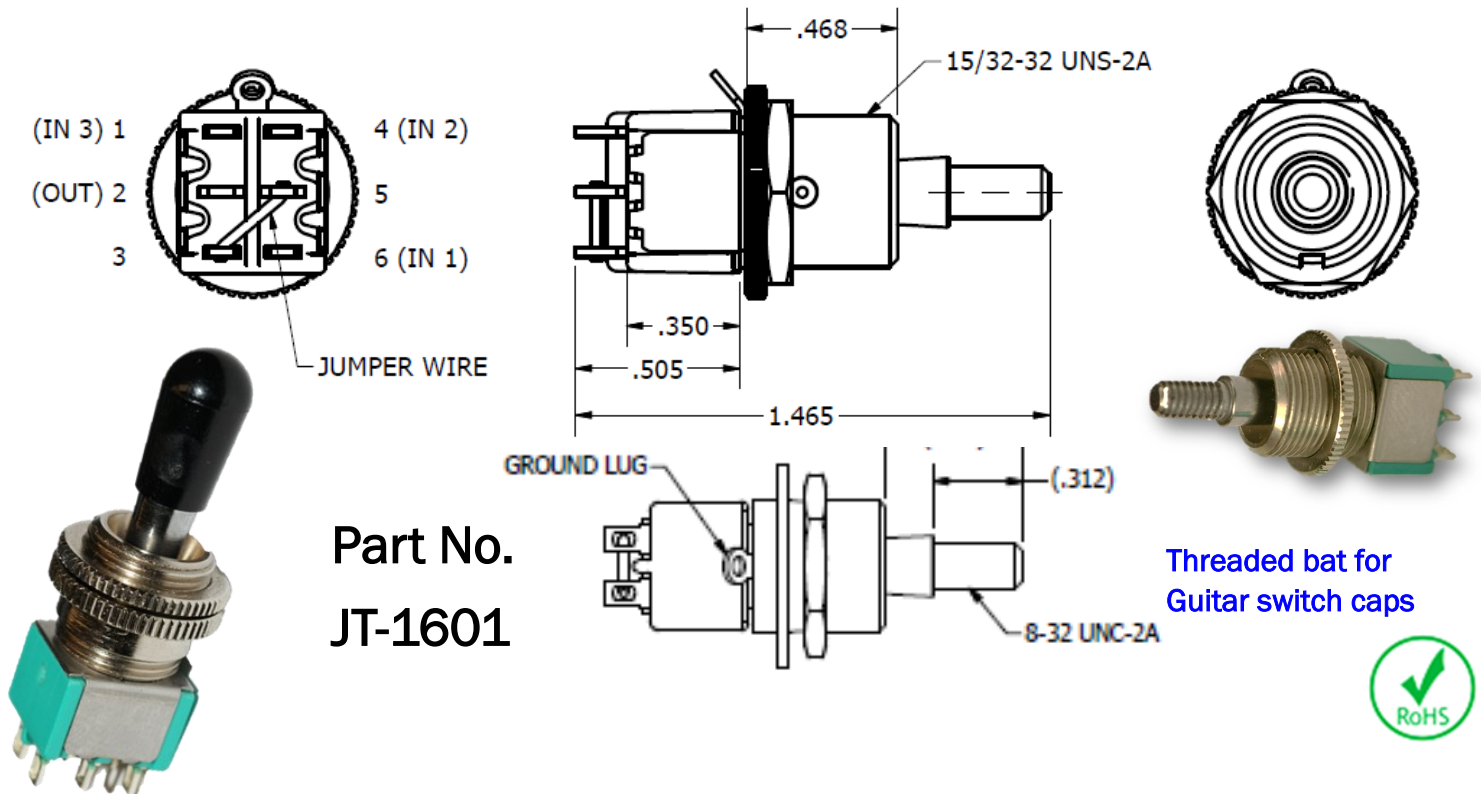
Smooth Silent-Action

Sturdier, Noiseless Toggle Switch

Electroswitch
Phone: 888-768-2797
sales@electro-nc.com

Compact 3 Way Toggle Switch

The JT-1601 Toggle Switches deliver sub-miniature solutions for Guitar applications that require less space, smooth action, and less noisy feedback in a durable small package.



Part No.
JT-1601

Threaded bar for
 Guitar switch caps



SPECIFICATIONS:

Contact Ratings — 6 amp at 125 VAC, 3 amp @ 250 VAC (U.L. recognized, CSA certified) or 6 amp at 28 VDC resistive.

Life Under Load — 60,000 make-and-break cycles — resistive load only.

Initial Contact Resistance — 10 milliohms maximum 3 VDC, 100 ma for both silver and gold plated contacts.

Insulation Resistance — 1,000 megohms, min.

Dielectric Strength — 1,000 volts rms at sea level.

Bushing Strength — 12 pound-inches without physical damage to switch.

Weight (including hardware) — DP 0.23 oz.

MATERIALS:

Base (body) — Diallyl Phthalate

Lever (toggle) — Brass, chrome plated.

Bushing — Brass, nickel plated.

Clamp (frame) — Stainless steel.

