

# Presslites

## Friction Cap Hardware

## INDICATOR LIGHTS



### Hardware Availability

The versatility of Friction Cap Switches extends to the broad selection of mounting hardware styles and finishes. This includes recessed and barrier mounting, as well as low cost snap-in mounts. Hardware availability is summarized in the table at right. Three hardware standards have been designated as shown.

HARDWARE AVAILABILITY				
Shape and Size		Hardware Styles		
		5	7	8
Round	1/2 in.	X	--	--
	5/8 in.		--	--
	3/4 in.	X	--	--
Square	1/2 in.	X	--	--
	5/8 in.			X
	3/4 in.	X	X	X

Shaded "X" indicates standard hardware size and style.

### Part Number Identification

The third block of digits in the complete part number identifies the mounting hardware as shown at right. Consult applications engineering for information concerning specialized finishes.

516 — 3016 — 52 — 327

**Style** \_\_\_\_\_ **Finish** \_\_\_\_\_  
 5 Recess Adaptor    2 Black  
 7 Flush Snap-in Mount  
 8 Barrier Snap-in Mount

### Base Projection

The projection of the base behind the front of the mounting panel depends on the base type and style of mounting hardware as shown at right. To determine projection behind the back of the panel, subtract the panel thickness from the given dimension.

Overall Base Length	BASE PROJECTION BEHIND FRONT OF MOUNTING PANEL		
	Hardware Style		
	5	7	8
1.0625 in.	N/A	1.3125 in.	1.3125 in.
1.5938 in.	N/A	1.8125 in.	1.8125 in.
2.1875 in.	2.3125 in.	2.4375 in.	2.4375 in.
2.2500 in.	2.3750 in.	2.5000 in.	2.5000 in.
2.3125 in.	2.4375 in.	2.5625 in.	2.5625 in.

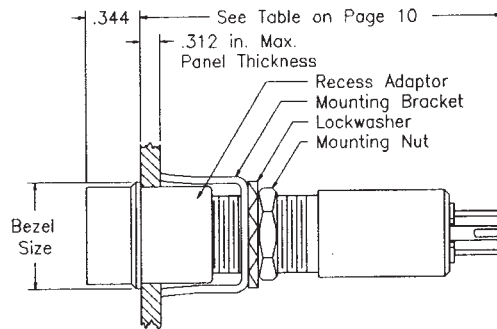
## Style 5



### Material and Finishes

Recess adaptor: aluminum, black anodized  
 Mounting bracket: stainless steel  
 Lockwasher: stainless steel  
 Mounting nut: brass, nickel plated

### Mounting Hardware Configuration



Pushbutton Size	Bezel Size	Mounting Dimensions	
		Panel Cutout Dimensions	
		Single Unit +.015 -.000	Stacked Units
1/2 in. Round	.65 in. Dia.	.562 in. Dia.	-
5/8 in. Round	.80 in. Dia.	.718 in. Dia.	-
3/4 in. Round	.93 in. Dia.	.843 in. Dia.	-
1/2 in. Square	.67 in. Sq.	.571 in. Sq.	Add .671 in. x N*
5/8 in. Square	.81 in. Sq.	.718 in. Sq.	Add .817 in. x N*
3/4 in. Square	.94 in. Sq.	.843 in. Sq.	Add .942 in. x N*

\*N = Number of additional units. Example: Cutout length for three 1/2 in. square recess adaptors is .671 in. x 2 + .571 in. = 1.913 in. +.015 -.000

# Presslites

## Friction Cap Hardware

### INDICATOR LIGHTS



### Style 7

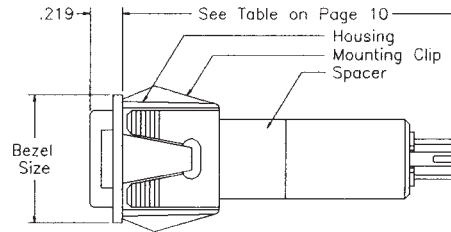
Flush Snap-in Mount



**Material and Finishes**

Housing: black thermoplastic  
 Mounting clip: stainless steel  
 Spacer: aluminum

#### Mounting Hardware Configuration



Mounting Dimensions			
Pushbutton Size	Bezel Size	Single Unit Cutout ± .005	Stacked Units*
5/8 in. Square §	.81 in. Square	.745 in. for panels .050 in. to .120 thick	Add .815 in. x N
		.755 in. for panels .120 in. to .187 thick	
3/4 in. Square	.94 in. Square	.870 in. for panels .050 in. to .120 thick	Add .940 in. x N
		.880 in. for panels .120 in. to .187 thick	
3/4 in. x 1 in. Rectangle	.94 in. x 1.18 in. Rectangle	.870 in. x 1.110 in.	Add .942 in. x N Vertical
			Add 1.182 in. x N Horizontal

\*N = Number of additional units.  
 Example: Cutout length for three 5/8 in. square mounts is .815 in. x 2 + .745 in. = 2.375 in. ± .005.  
 § Not recommended for use with 10.1 amp Presslite bases since they will not pass through panel cutout.

### Style 8

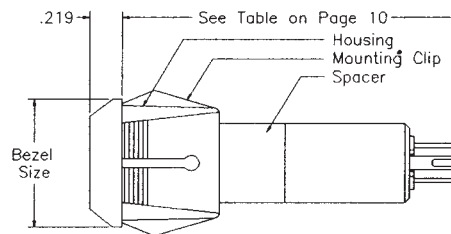
Barrier Snap-in Mount



**Material and Finishes**

Housing: black thermoplastic  
 Mounting clip: stainless steel  
 Spacer: aluminum

#### Mounting Hardware Configuration



Mounting Dimensions			
Pushbutton Size	Bezel Size	Single Unit Cutout ± .005	Stacked Units*
5/8 in. Square §	.81 in. Square	.745 in. for panels .050 in. to .120 thick	Add .815 in. x N
		.755 in. for panels .120 in. to .187 thick	
3/4 in. Square	.94 in. Square	.870 in. for panels .050 in. to .120 thick	Add .940 in. x N
		.880 in. for panels .120 in. to .187 thick	

\*N = Number of additional units.  
 Example: Cutout length for three 5/8 in. square mounts is .815 in. x 2 + .745 in. = 2.375 in. ± .005.  
 § Not recommended for use with 10.1 amp Presslite bases since they will not pass through panel cutout.

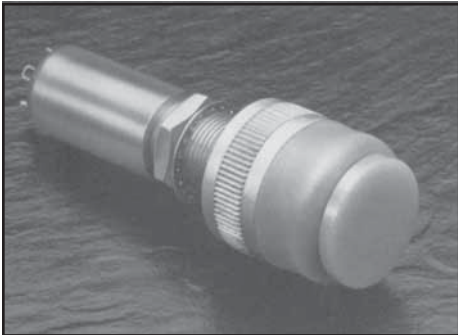
# Presslites

## Friction Cap Specialty Hardware

## INDICATOR LIGHTS



### Splashproof and Oiltight



#### Switch or Indicator Bases

All Presslite base types shown on pages 5 through 8 except Types 543 and 546 may be used with this mounting accessory.

#### Material and Finishes

Pushbutton: high impact resistant plastic per L-P 349.  
Rubber boot: gray silicone rubber supplied with bright anodized adaptor. Black neoprene rubber supplied with black anodized adaptor. (Neoprene seals recommended for oiltight applications.)

Mounting adaptor: aluminum, bright or black anodized.

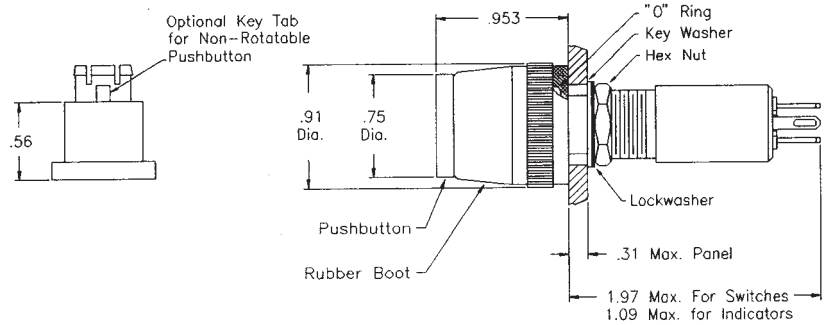
Hex nut: brass, nickel plated.

Lockwasher: stainless steel.

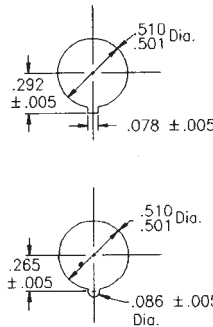
#### Lamp

T-1 3/4 bulb with midget flange base. See Lamp Selection Guide. Lamp may be replaced from front of panel by removing pushbutton.

#### Mechanical Drawing



#### Panel Cutouts



#### Complete Assembly Part Numbers (Less Lamp) With Rotatable Pushbutton and Type 516 Switch

Translucent Pushbutton Colors	Mounting Adaptor Finish	
	Bright Anodized	Black Anodized
White	516-9015-91	516-9015-92
Red	516-9016-91	516-9016-92
Green	516-9017-91	516-9017-92
Blue	516-90111-91	516-90111-92
Orange	516-90116-91	516-90116-92
Off-white	516-90117-91	516-90117-92

To order complete assembly with other base type, change Base Number 516 to desired type. Example: 521-9015-91.  
To order non-rotatable pushbutton change second digit of Pushbutton Number from 0 to 1. Example: 516-9115-91.  
To order complete assembly with lamp installed, add Lamp Number as 3 digit suffix to Part Number. Example: 516-9015-91-327.

### Splashproof and E.M.I. Suppressed



#### Switch or Indicator Bases

All Presslite base types shown on pages 5 through 8 except Types 543 and 546 may be used with this mounting accessory.

#### Material and Finishes

Pushbutton: high impact resistant plastic per L-P 349.

Rubber boot: gray silicone rubber

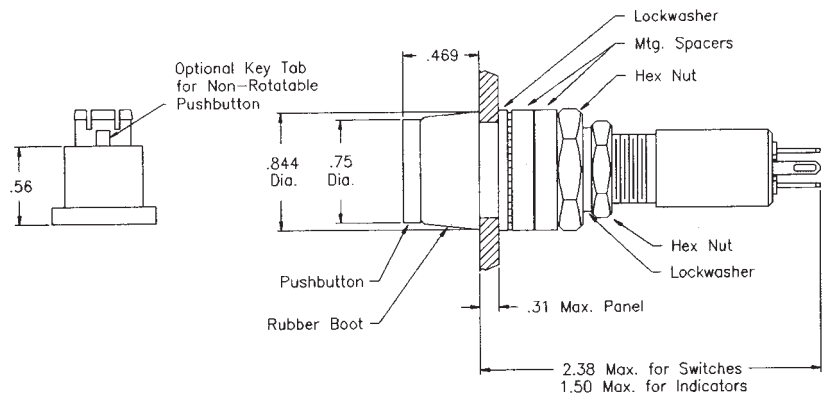
Hex nut and spacers: brass, nickel plated.

Lockwashers: stainless steel.

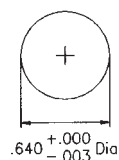
#### Lamp

T-1 3/4 bulb with midget flange base. See Lamp Selection Guide. Lamp may be replaced from front of panel by removing pushbutton.

#### Mechanical Drawing



#### Panel Cutouts



#### Complete Assembly Part Numbers (Less Lamp) With Type 516 Switch

Translucent Pushbutton Colors	Rotatable Pushbutton	Non-Rotatable Pushbutton
	White	516-53660-10-5
Red	516-53660-10-6	516-53660-11-6
Green	516-53660-10-7	516-53660-11-7
Blue	516-53660-10-11	516-53660-11-11
Orange	516-53660-10-16	516-53660-11-16
Off-white	516-53660-10-17	516-53660-11-17

To order complete assembly with other base type, change Base Number 516 to desired type. Example: 521-53660-10-5.  
To order complete assembly with lamp installed, add Lamp Number as 3 digit suffix to Part Number. Example: 516-53660-10-5-327.