

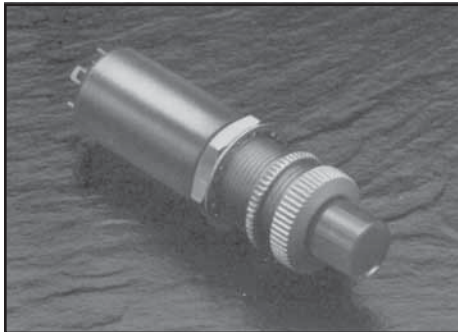
Presslites

Low Profile Switches

INDICATOR LIGHTS



5 Amp Snap Action



Switch Characteristics

Contact rating:
5 amps resistive at 115 VDC or 28 VDC.
Nominal pushbutton travel: .219 in.
Nominal operating force: 24 oz.

Material and Finishes

Pushbutton: high impact resistant plastic per L-P-349.
Pushbutton retention and knurled nut: aluminum, bright anodized.
Keywasher and mounting nut: brass, nickel plated.
Housing: aluminum, anodized.
Terminals and Contacts: coin silver
Terminal Board: molded thermoset plastic

Lamp

T-1 3/4 incandescent or T-2 neon with midget flange base.
See Lamp Selection Guide. Lamp may be replaced from front of panel by removing pushbutton retention nut.
Switches will not operate with lamp removed.

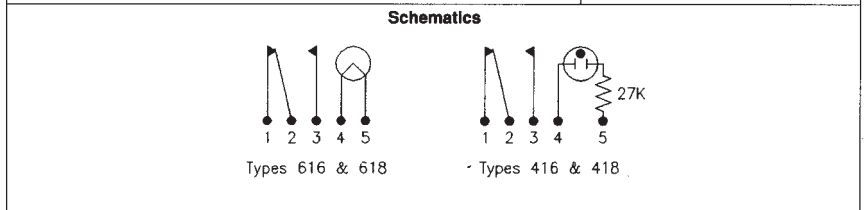
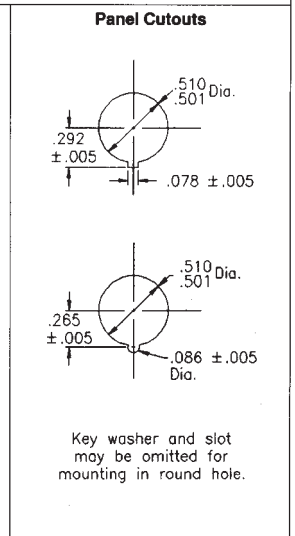
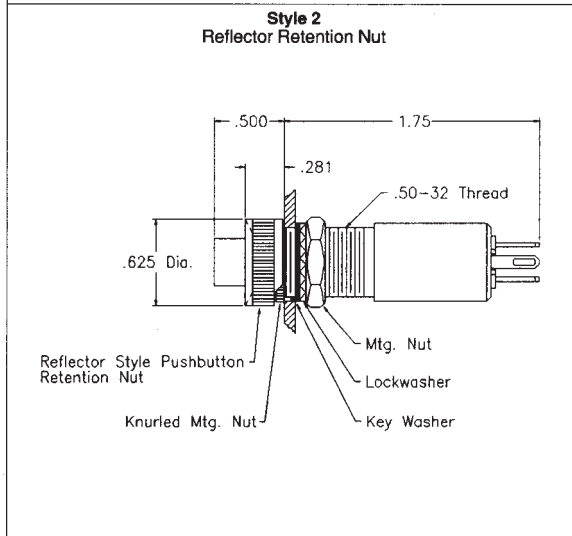
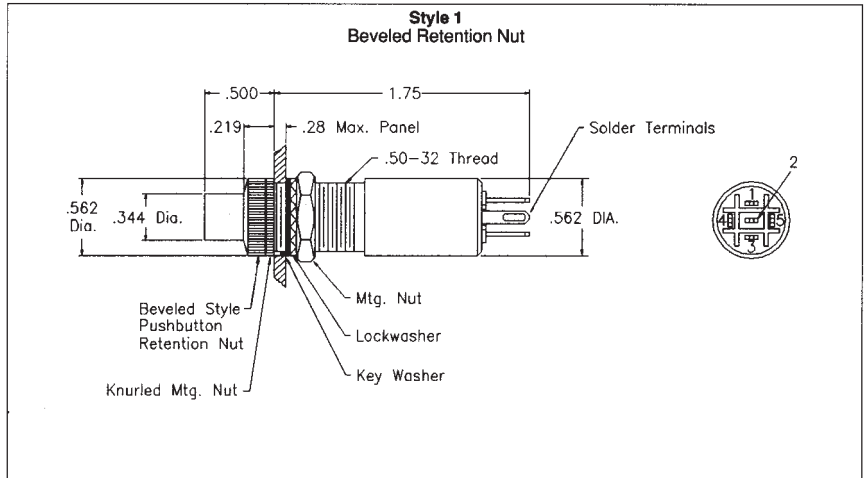
Weight

Approximately .5 oz.

Styles

Where maximum indication of pushbutton illumination is of primary importance, the reflector style retention nut is recommended.

Alternate Action Type 416, Type 616
Momentary Action Type 418, Type 618



Complete Assembly Part Numbers For Style 1 Pushbutton Retention Nut

Translucent Pushbutton Colors	Incandescent (Less Lamp)		115 VAC Neon (Includes A1H Lamp)	
	Alternate Action	Momentary Action	Alternate Action	Momentary Action
White	616-5-1	618-5-1	416-5-1-A1H	418-5-1-A1H
Red	616-6-1	618-6-1	416-6-1-A1H	418-6-1-A1H
Green	616-7-1	618-7-1	-	-
Amber	616-8-1	618-8-1	416-8-1-A1H	418-8-1-A1H
Blue	616-11-1	618-11-1	-	-
Orange	616-16-1	618-16-1	-	-
Off-white	616-17-1	618-17-1	416-17-1-A1H	418-17-1-A1H

To order switch with reflector style pushbutton retention nut (style 2), change hardware designation number from 1 to 2. Example: 616-5-2. To order switch with incandescent lamp installed, add Lamp Number as 3 digit suffix to part number. Example: 616-5-1-327.

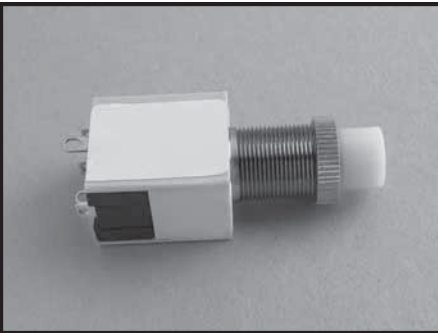
Presslites

Low Profile Switches

INDICATOR LIGHTS



10.1 Amp Snap Action



Alternate Action: Types 6710, 6720
Momentary Action: Types 6810, 6820

Switch Characteristics

Contact rating:
10.1 amps resistive at 125/250 VAC or 14 VDC
5 amps resistive at 30 VDC.
Nominal pushbutton travel:
Alternate action switches, .219 in.
Nominal operating force:
Single pole switches, 12 oz.
Double pole switches, 20 oz.

Material and Finishes

Pushbutton: high impact resistant plastic per L-P-349.
Knurled nut: aluminum, bright anodized.
Key washer and mounting nut: brass, nickel plated.
Lockwasher: stainless steel.
Housing molded thermoplastic.
Contacts: coin silver

Lamp

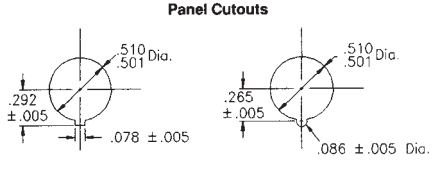
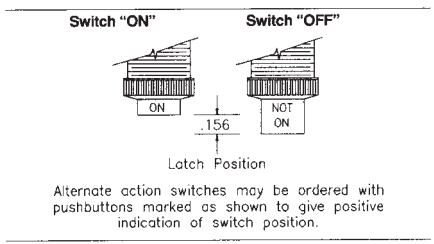
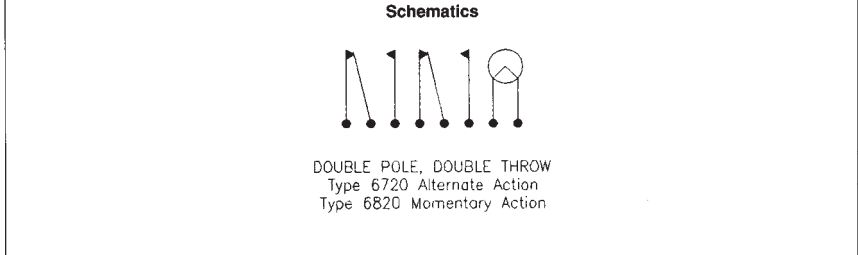
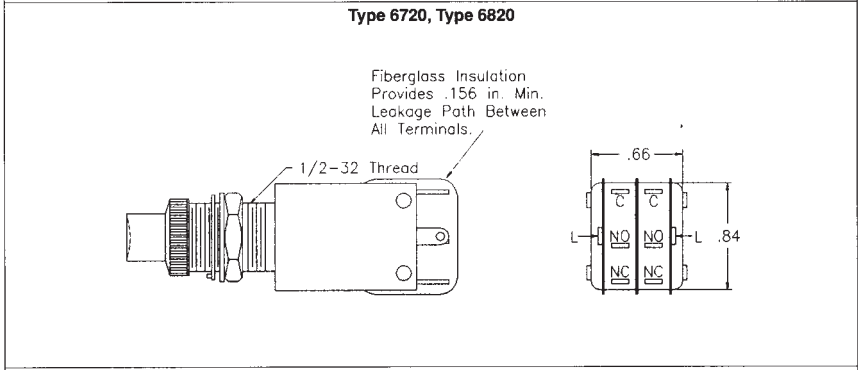
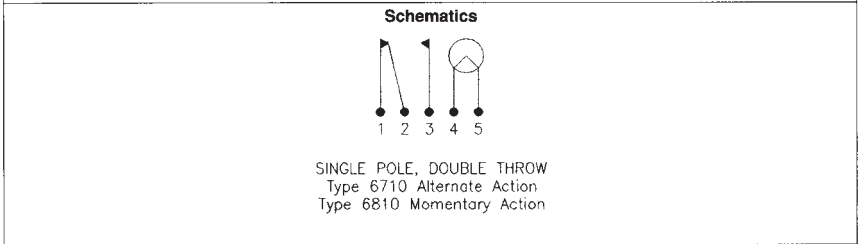
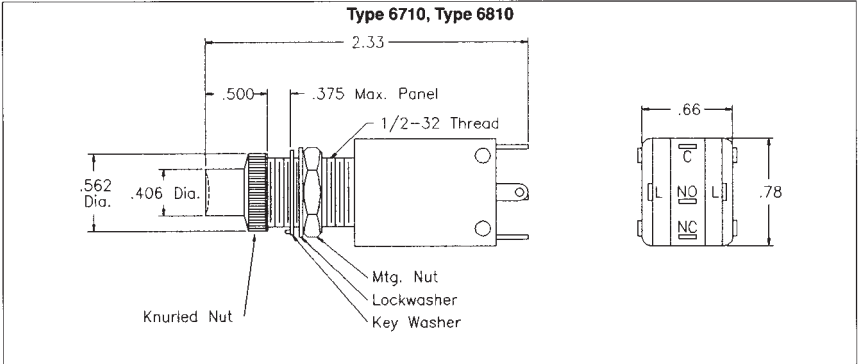
T-1 3/4 incandescent with midget flange base or A1 H neon.
See Lamp Selection Guide. Lamp may be replaced from front of panel by removing pushbutton.

Weight

Approximately .6 oz.

Solder Terminals

Terminals accept AMP FASTON No. 60729-1 receptacles or equivalent.



Complete Assembly Part Numbers (Less Lamp) For Switches With Unmarked Pushbutton

Translucent Pushbutton Colors	Single Pole			
	Double Throw, 2 Circuit		Double Pole	
	Alternate	Momentary	Alternate	Momentary
White	6710-5	6810-5	6720-5	6820-5
Red	6710-6	6810-6	6720-6	6820-6
Green	6710-7	6810-7	6720-7	6820-7
Amber	6710-8	6810-8	6720-8	6820-8
Blue	6710-11	6810-11	6720-11	6820-11
Orange	6710-16	6810-16	6720-16	6820-16
Off-white	6710-17	6810-17	6720-17	6820-17

To order switch with "Not On" marking on pushbutton, add 5 to Part Number suffix. Examples: 6710-55, 6710-56.
To order switch with lamp installed, add Lamp Number as 3 digit suffix to part number. Example: 6710-5-327.