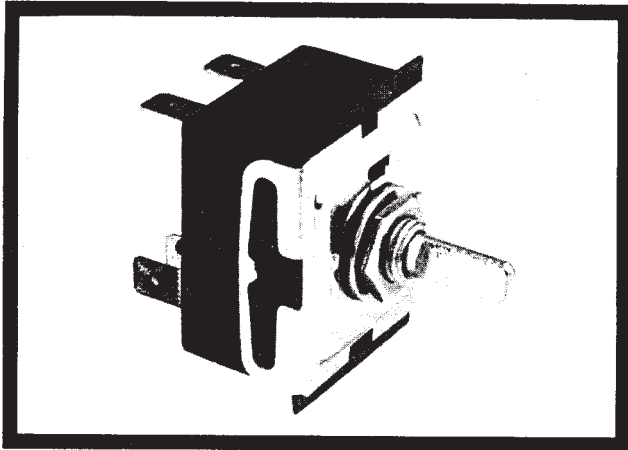


Rotary Switches

Series 240 & 390



DESIGNED FOR APPLICATIONS REQUIRING COMPACTNESS, HIGH CAPACITY AND LONG SERVICE LIFE.

Our capability in the development of electrical switches over the past 40 years has transcended almost every possible application within the electrical and electronic industry. None has met greater acceptance or achieved more universal popularity than the Series 240 & 390 Rotary Switches. Designed for applications where space limitations require compactness, both are electrically and mechanically interchangeable. They are available single pole or double pole with indexing, in steps of 45, 51, 60, 72, 90, 120 or 180 degrees, operating full rotary or stops as required. Standard A.C. Rating — U.L. approved — range from 7-1/2 amperes to 38 amperes, including motor ratings of 1/4 H.P. to 1 H.P., 120 V., 2 H.P., 240 V. Typical applications include: Air conditioners, X-ray machines, medical, dental and other laboratory equipment, ranges, ovens, battery charges, kilns, space heaters, vending machines, washers, dryers, and a multitude of appliances or devices.

MANUAL MOTOR CONTROLLERS

Many 390 Series Switches are now classified as Manual Motor Controls and recognized under the component programs of Underwriters' Laboratories, Inc. and Canadian Standards Association.

These devices are open type manual motor controls and are rated single phase, same polarity with contact ratings to 38 amps total input and horsepower ratings to 2 H.P., at 240 VAC (resistive) plus locked rotor ratings to 125 amperes at 240 VAC.

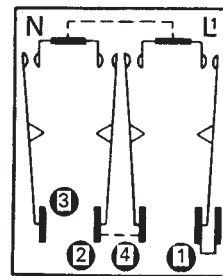
Mounting arrangements, circuitry details, and physical dimensions are the same as those described in this bulletin for 390 Series Rotary Switches.

TYPICAL CIRCUITS

Hundreds of circuit variations are possible

SINGLE POLE CIRCUITS AS USED IN AIR CONDITIONERS

Terminals L1 and N shunted internally. Line Terminal may connect with terminals 1, 2, 3, and 4 in any position with 45, 60, 72 and 90 degrees of throw.



REAR VIEW

DOUBLE POLE CIRCUITS AS USED IN ELECTRIC RANGES

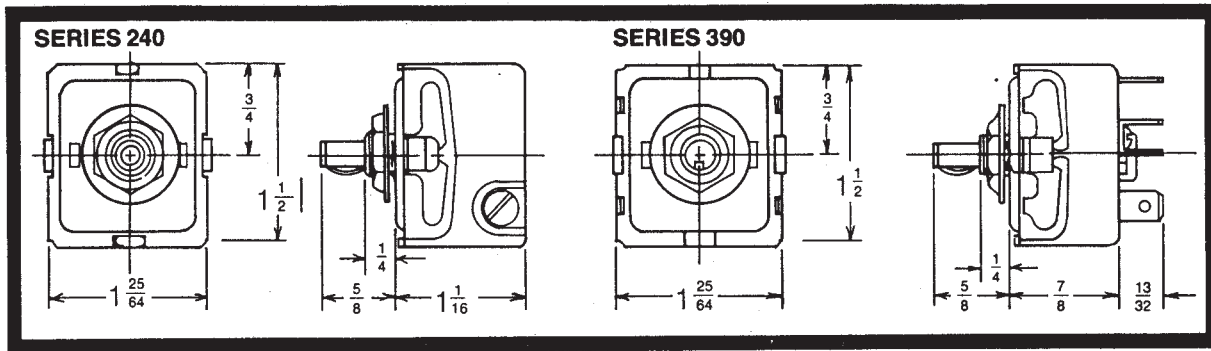
Terminal N may connect with terminals 2 and 3 only, in any position. Terminal L1 may connect with terminals 1 and 4 only, in any position. Available with 45, 51, 60, 72, 90 and 180 degrees of throw.

Electrical ratings vary as to application, and are available to 38 A. 120/240 V. rating with 20 amps. max. on inside terminals (2 & 4) and 25 amps. max. on outside terminals (1 & 3) resistive load. Double pole applications can have 30 amps. max. rating with 20 amps. max. on any one circuit.

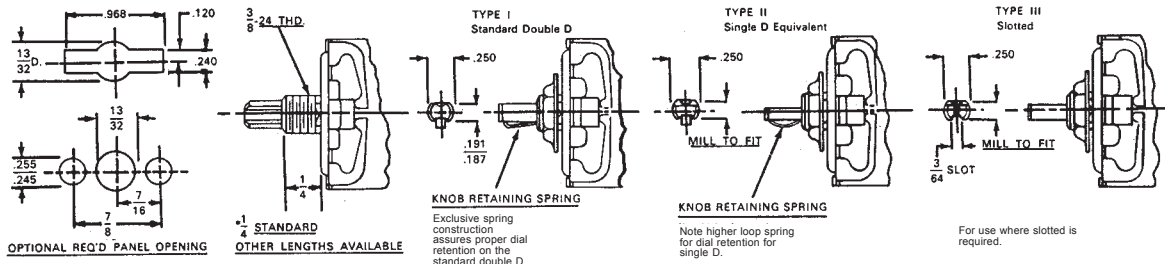
DUMMY AND AUXILIARY TERMINALS

Series 390 Switches may be provided with two, four or six dummy terminals, eliminating the need for auxiliary terminal blocks. Auxiliary terminals can be provided to permit additional connections on load or line terminals. Through the use of many standard cams and both internal and external shunts, the Series 240 and Series 390 small rotary switches can be designed to accommodate a vast number of different circuits.

Illustration shows coaxial spindle arrangement with outer hollow spindle (A) operating the switch itself, while the inner solid spindle (B) provides independent coaxial control of the auxiliary function.

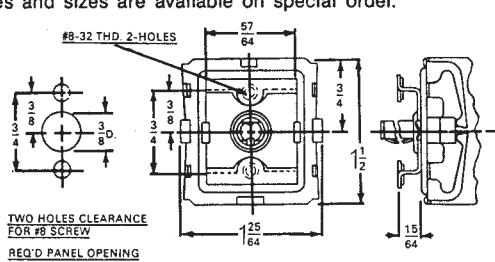


STANDARD MOUNTING ARRANGEMENTS

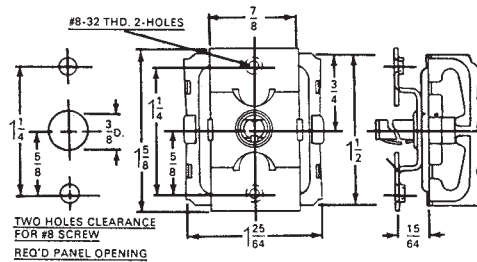


SINGLE HOLE MOUNTING

An exclusive spring arrangement of Types I and II gives uniform tension to hold knobs firmly in place. Various lengths are available. For spindle lengths exceeding 2", nylon back bearings will be supplied for added strength and rigidity. Other types and sizes are available on special order.

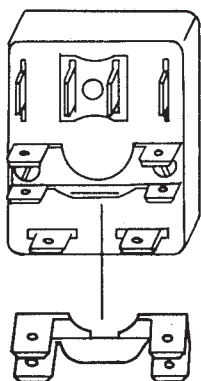


TWO HOLE 3/4" MOUNTING

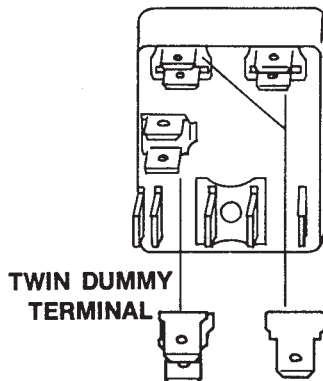


TWO HOLE 1-1/4" MOUNTING

DUMMY AND AUXILIARY TERMINALS



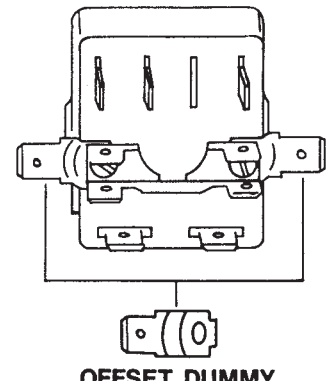
4 PRONG DUMMY TERMINAL



TWIN DUMMY TERMINAL



AUXILIARY TAB TERMINAL



OFFSET DUMMY TERMINAL