

D1 - SERIES

SPECIFICATIONS AND ORDERING INFORMATION

25.4 mm DIAMETER 0.55 AMP @ 28 VDC

This 25.4 mm diameter switch offers a unique lateral thrust index with exceptionally crisp torque. The D1 Series was originally designed to meet the size requirements of MIL-S-3786 style SR05. The 30° index and glass epoxy insulation are standard and several options are available including rear printed circuit terminals.



SPECIFICATIONS

ELECTRICAL

Current and Voltage Rating: Make and break resistive load 0.55 amp @ 28 VDC; 0.25 amp @ 115 VAC.
Current Carrying Capacity: 7 amps.
Dielectric Strength: 750 VAC between current carrying parts and ground.
Contact Resistance: Average initial 5 milliohms.
Insulation Resistance: Diallyl in excess of 900,000 megohms.
 Glass in excess of 750,000 megohms.
 Ceramic in excess of 1,000,000 megohms.
Hardware: Mounting nut and lockwasher are shipped assembled.

MECHANICAL

Materials and Finishes: All parts utilize non-corrosive materials as standard.
Clips and Rotors: Brass with silver plate as standard.
Insulation: Glass, diallyl phthalate, or ceramic.
Index: Dual-ball, side thrust design.
Index Life: 25,000 cycles minimum.
Index Torque: Switches have lowest practical torque consistent with crisp detenting and smooth, reliable operation.
Index Angle: Positive 30° standard, 36°, and 45° available.
Index Stops: Adjustable standard, fixed or continuous available.
Stop Strength: 1.13 Nm minimum.

STANDARD PART NO.

EPOXY GLASS INSULATION

SWITCHES - SOLDER LUG TERMINALS - 30° INDEX - ADJUSTABLE STOPS SET @ 2 POS.

POLES	ACTIVE POSITIONS	POLES/ SECTION	NO. OF SECTIONS	SHORTING	NON-SHORTING	FIG. *
01	02-12	1	1	D1G0112S	D1G0112N	DE
02	02-12	1	2	D1G0212S	D1G0212N	DE
02	02-06	2	1	D1G0206S	D1G0206N	DL
03	02-12	1	3	D1G0312S	D1G0312N	DE
03	02-05	3	1	D1G0305S	D1G0305N	DO
04	02-06	2	2	D1G0406S	D1G0406N	DL
06	02-06	2	3	D1G0606S	D1G0606N	DL
06	02-05	3	2	D1G0605S	D1G0605N	DO

CERAMIC INSULATION

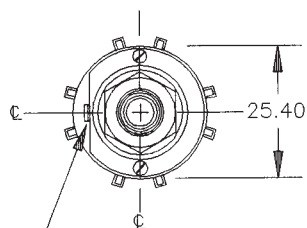
SWITCHES - SOLDER LUG TERMINALS - 30° INDEX - ADJUSTABLE STOPS SET @ 2 POS.

POLES	ACTIVE POSITIONS	POLES/ SECTION	NO. OF SECTIONS	SHORTING	NON-SHORTING	FIG. *
01	02-11	1	1	D1C0111S	D1C0111N	DB
02	02-11	1	2	D1C0211S	D1C0211N	DB
02	02-05	2	1	D1C0205S	D1C0205N	DG
03	02-11	1	3	D1C0311S	D1C0311N	DB
03	02-03	3	1	D1C0303S	D1C0303N	DN
04	02-05	2	2	D1C0405S	D1C0405N	DG
06	02-05	2	3	D1C0605S	D1C0605N	DG
06	02-03	3	2	D1C0603S	D1C0603N	DN

* FIGURES ARE SHOWN ON PAGES 55 AND 56.

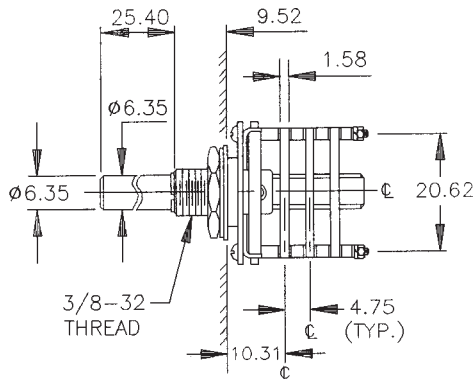
DIMENSIONS

STANDARD CONSTRUCTION

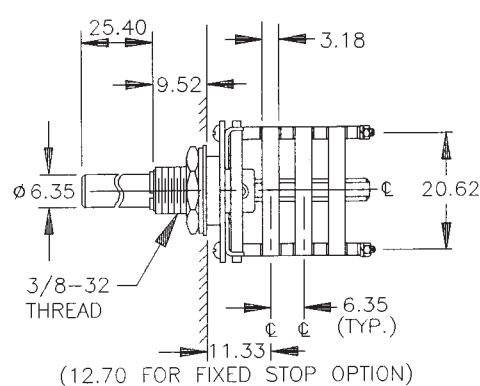


NON-TURN LUG
 3.18W X .89 THK.
 9.52 FROM C
 1.60 ENGAGEMENT

D1G - STANDARD GLASS EPOXY CONSTRUCTION



D1C CERAMIC INSULATION



How to Order Additional Options:

2 DIGIT SERIES	INSULATION TYPE	TOTAL POLES	ACTIVE POSITIONS	CONTACT TYPE	TERMINAL TYPE	INDEX ANGLE	STOP TYPE	SHAFT/BUSHING	SHAFT FLAT
D1	G - GLASS (30°,36°,45°) D - DIALLYL (30°,45°)	01 - MIN.	12 - MAX @ 30° 10 - MAX @ 36° 08 - MAX @ 45°	S - SHORTING N - NON-SHORTING	L - SOLDER LUG R - (REAR P.C. DIALLYL ONLY)	30° 36° 45°	A - ADJ. F - FIXED (7-POS MAX @45°) C - CONT.	SEE CHART "A"	SEE CHART "B"
D1	C - CERAMIC	01 - MIN.	11 - MAX @ 30°	S - SHORTING N - NON-SHORTING	L - SOLDER LUG	30°	A - ADJ. F - FIXED C - CONT.	SEE CHART "A"	SEE CHART "B"

CUSTOMERS SPECIFIED ORDER NUMBER FOR STANDARD OPTIONS				ADDITIONAL OPTIONS			
D	1	<input type="checkbox"/>	<input type="checkbox"/>	<input type="checkbox"/>	<input type="checkbox"/>	<input type="checkbox"/>	<input type="checkbox"/>
		(SPECIFY)	(SPECIFY)	(SPECIFY)	(SPECIFY)	(SPECIFY)	(SPECIFY)

SHAFT, BUSHING, AND FLAT OPTIONS

P/N OPT.	SHAFT LGTH. "A"	BUSH LGTH. "B"
01	9.53	6.35
02	9.53	9.53
03	12.7	6.35
04	12.7	9.53
05	14.29	6.35
06	14.29	9.53
07	15.88	6.35
08	15.88	9.53
09	19.05	6.35
10	19.05	9.53
11	22.22	6.35
12	22.22	9.53
13	25.4	6.35
14	25.4	9.53

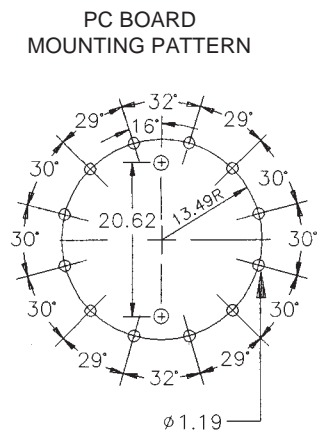
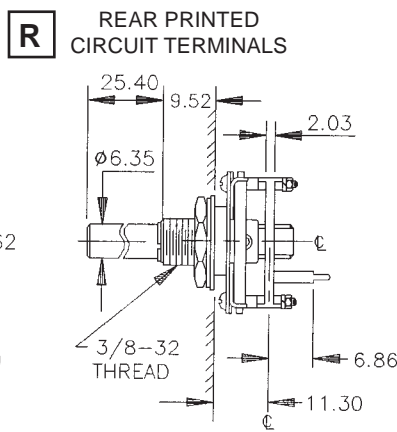
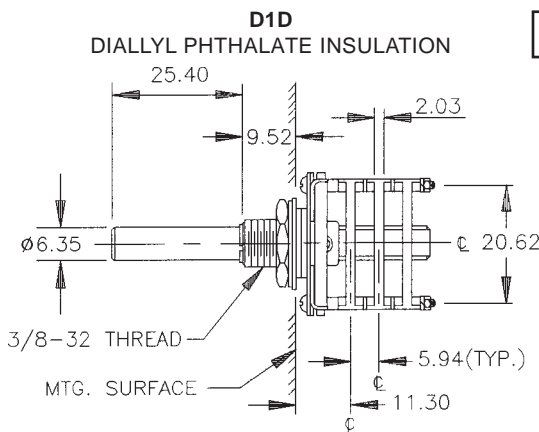
P/N OPT.	FLAT ANGLE
B	ROUND
U	15°
W	165°
Y	195°
Z	345°

SHAFT AS VIEWED WITH NON-TURN LUG AT 9 O'CLOCK AND SHAFT IN EXTREME CCW POSITION AND STRUT BOLTS ORIENTED VERTICALLY.

D1C - STD.
D1G - STD.

D
M
E
T
R
I
C

INSULATION AND PRINTED CIRCUIT BOARD TERMINAL OPTIONS



CUSTOM SWITCHES ARE AVAILABLE. CONTACT THE FACTORY WITH YOUR COMPLETE SPECIFICATIONS.