

# D5 - SERIES

## SPECIFICATIONS AND ORDERING INFORMATION

36.51 mm DIAMETER 1.5 AMPS @ 28 VDC

The D5 Series switch is an economical single section switch utilizing glass epoxy insulation, staked construction, and printed circuit board or solder lug terminals. The formed spring index uses a small face plate area with detenting available up to 12 positions.



### SPECIFICATIONS

#### ELECTRICAL

**Current and Voltage Rating:** Make and break resistive load 1.5 amps @ 28 VDC; 0.5 amp @ 115 VAC.  
**Current Carrying Capacity:** 9 amps.  
**Dielectric Strength:** 1,500 VAC between current carrying parts and ground.  
**Contact Resistance:** Average initial 3.5 milliohms.  
**Insulation Resistance:** In excess of 750,000 megohms.

**Hardware:** Mounting nut and lockwasher are shipped assembled.

#### MECHANICAL

**Materials and Finishes:** All parts utilize non-corrosive materials as standard.  
**Clips and Rotors:** Brass with silver plate as standard.  
**Insulation:** Glass epoxy.  
**Index:** Formed spring, hill and valley design.  
**Index Life:** 25,000 cycles minimum.  
**Index Torque:** Switches have lowest practical torque consistent with crisp detenting and smooth, reliable operation.  
**Index Angles:** Positive 30° standard.  
**Index Stops:** Fixed or continuous.  
**Stop Strength:** 2.82 Nm minimum.

### STANDARD PART NUMBER

#### SOLDER LUG TERMINALS

SWITCHES - 30° INDEXING - FIXED STOPS

ACTIVE POLES	POLES/ POSITIONS	POLES/ SECTION	NO. OF SECTIONS	SHORTING	NON-SHORTING	FIG. *
01	06	1	1	D5G0106S	D5G0106N	DB
01	08	1	1	D5G0108S	D5G0108N	DB
01	10	1	1	D5G0110S	D5G0110N	DB
01	11	1	1	D5G0111S	D5G0111N	DB
02	04	2	1	D5G0204S	D5G0204N	DG
02	05	2	1	D5G0205S	D5G0205N	DG
03	03	3	1	D5G0303S	D5G0303N	DN

#### PRINTED CIRCUIT BOARD TERMINALS

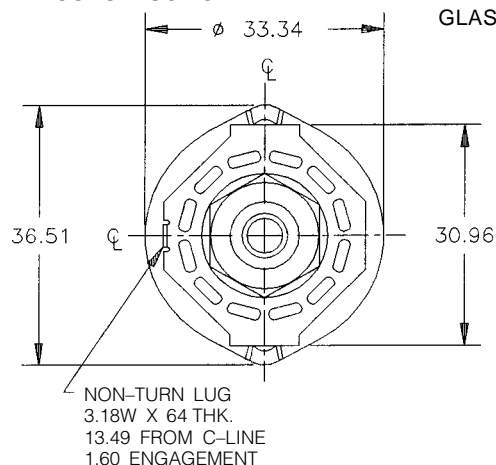
SWITCHES - 30° INDEXING - FIXED STOPS

ACTIVE POLES	POLES/ POSITIONS	POLES/ SECTION	NO. OF SECTIONS	SHORTING	NON-SHORTING	FIG. *
01	06	1	1	D5G0106S - R	D5G0106N - R	DB
01	08	1	1	D5G0108S - R	D5G0108N - R	DB
01	10	1	1	D5G0110S - R	D5G0110N - R	DB
01	11	1	1	D5G0111S - R	D5G0111N - R	DB
02	04	2	1	D5G0204S - R	D5G0204N - R	DG
02	05	2	1	D5G0205S - R	D5G0205N - R	DG
03	03	3	1	D5G0303S - R	D5G0303N - R	DN

\* FIGURES ARE SHOWN ON PAGES 55 AND 56.

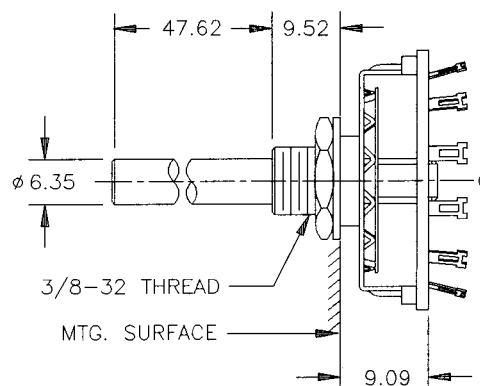
### DIMENSIONS

#### STANDARD CONSTRUCTION



#### D5G

#### GLASS EPOXY CONSTRUCTION



## How to Order Additional Options:

2 DIGIT SERIES	INSULATION TYPE	TOTAL POLES	ACTIVE POSITIONS	CONTACT TYPE	TERMINAL TYPE	INDEX ANGLE	STOP TYPE	SHAFT/ BUSHING	SHAFT FLAT
D5	G - GLASS	01 - MIN.	12 - MAX @ 30°	S - SHORTING N - NON SHORTING	L - SOLDER LUG R - REAR P.C.		F - FIXED C - CONT.	SEE CHART "A"	SEE CHART "B"

CUSTOMERS SPECIFIED ORDER NUMBER FOR STANDARD OPTIONS					ADDITIONAL OPTIONS				
<b>D</b>	<b>5</b>	<b>G</b>	<input type="text"/>	<input type="text"/>	<input type="checkbox"/>	<input type="checkbox"/>	<input type="checkbox"/>	<input type="checkbox"/>	<input type="checkbox"/>
			(SPECIFY)	(SPECIFY)	(SPECIFY)	(SPECIFY)	(SPECIFY)	(SPECIFY)	(SPECIFY)

### SHAFT, BUSHING, AND FLAT OPTIONS

P/N OPT.	SHAFT LGTH. "A"	BUSH. LGTH. "B"
01	9.53	6.35
02	9.53	9.53
03	12.7	6.35
04	12.7	9.53
05	14.29	6.35
06	14.29	9.53
07	19.05	6.35
08	19.05	9.53
09	25.4	6.35
10	25.4	9.53
11	38.1	6.35
12	38.1	9.53
13	47.63	6.35
14	47.63	9.53

P/N OPT.	FLAT ANGLE
B	ROUND - STD
U	15°
W	165°
Y	195°
Z	345°

SHAFT AS VIEWED WITH NON-TURN LUG AT 9 O'CLOCK AND SHAFT IN EXTREME CCW POSITION AND STRUT BOLTS ORIENTED VERTICALLY.

D  
M  
E  
T  
R  
I  
C

### PRINTED CIRCUIT BOARD OPTIONS

**R**

P.C. BOARD MOUNTING PATTERN

CUSTOM SWITCHES ARE AVAILABLE. CONTACT THE FACTORY WITH YOUR COMPLETE SPECIFICATIONS.