

D6 - SERIES

SPECIFICATIONS AND ORDERING INFORMATION

42.85 mm DIAMETER 1.5 AMPS @ 28 VDC

The D6 Series is one of our more versatile rotary switches. A 30° index angle, solder lug terminals, and diallyl phthalate insulation are standard. However, additional indexes of 36°, 45°, and 60° and insulation sections of glass epoxy and ceramic are available. Adjustable stops are available on indexes of 30° and 60°.



SPECIFICATIONS

ELECTRICAL

Current and Voltage Rating: Make and break resistive load
1.5 amps @ 28 VDC; 0.5 amp @ 115 VAC.
Current Carrying Capacity: 9 amps.
Dielectric Strength: 1,500 VAC between current carrying parts and ground.
Contact Resistance: Average initial 3.5 milliohms.
Insulation Resistance: Diallyl in excess of 900,000 megohms
Glass in excess of 750,000 megohms.
Ceramic in excess of 1,000,000 megohms.
Hardware: Mounting nut and lockwasher are shipped assembled.

MECHANICAL

Materials and Finishes: All parts utilize non-corrosive materials as standard.
Clips and Rotors: Brass with silver plate as standard.
Insulation: Diallyl phthalate, glass, or ceramic.
Index: Dual-ball, side thrust design.
Index Life: 25,000 cycles minimum.
Index Torque: Switches have lowest practical torque consistent with crisp detenting and smooth, reliable operation.
Index Angles: Positive 30° standard, 36°, 45°, and 60° available.
Index Stops: Adjustable standard, fixed or continuous.
Stop Strength: 2.82 Nm minimum.

STANDARD PART NUMBER

DIALLYL PHTHALATE INSULATION

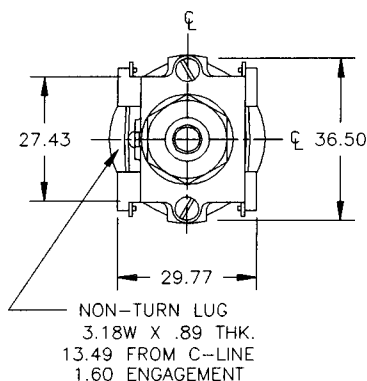
SWITCHES - 30° INDEX - ADJUSTABLE STOPS - SOLDER LUG TERMINALS

POLES	ACTIVE POSITIONS	POLES/ SECTION	NO. OF SECTIONS	SHORTING	NON-SHORTING	FIG. *	POLES	ACTIVE POSITIONS	POLES/ SECTION	NO. OF SECTIONS	SHORTING	NON-SHORTING	FIG. *
01	02-12	1	1	D6D0112S	D6D0112N	DD	05	02-03	5	1	D6D0503S	D6D0503N	DR
02	02-12	1	2	D6D0212S	D6D0212N	DD	06	02-12	1	6	D6D0612S	D6D0612N	DD
02	02-06	2	1	D6D0206S	D6D0206N	DL	06	02-06	2	3	D6D0606S	D6D0606N	DL
03	02-12	1	3	D6D0312S	D6D0312N	DD	06	02-05	3	2	D6D0605S	D6D0605N	DO
03	02-05	3	1	D6D0305S	D6D0305N	DO	08	02-06	2	4	D6D0806S	D6D0806N	DL
04	02-12	1	4	D6D0412S	D6D0412N	DD	09	02-05	3	3	D6D0905S	D6D0905N	DO
04	02-06	2	2	D6D0406S	D6D0406N	DL	10	02-03	5	2	D6D1003S	D6D1003N	DR
05	02-12	1	5	D6D0512S	D6D0512N	DD	10	02-06	2	5	D6D1006S	D6D1006N	DL

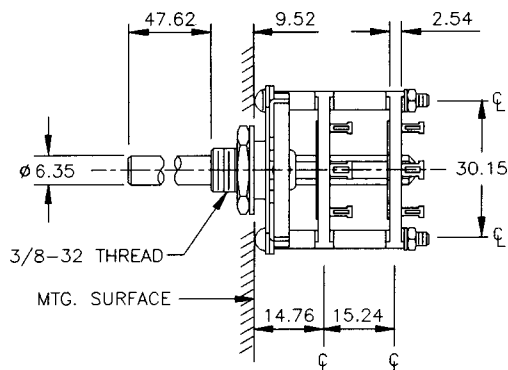
* FIGURES ARE SHOWN ON PAGES 55 AND 56.

DIMENSIONS

STANDARD CONSTRUCTION



D6D - DIALLYL PHTHALATE CONSTRUCTION



How to Order Additional Options:

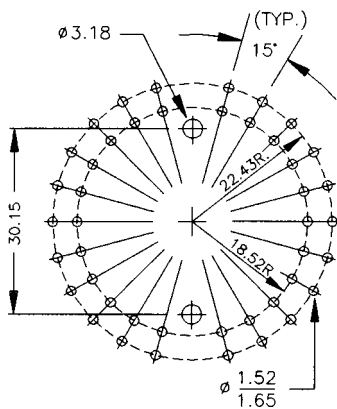
2 DIGIT SERIES	INSULATION TYPE	TOTAL POLES	ACTIVE POSITIONS	CONTACT TYPE	TERMINAL TYPE	INDEX ANGLE	STOP TYPE	SHAFT/ BUSHING	SHAFT FLAT
D6	D - DIALLYL (30°,45°,60°) G - GLASS (30°,36°,45°,60°)	01 - MIN.	12 - MAX @ 30° 10 - MAX @ 36° 08 - MAX @ 45° 06 - MAX @ 60°	S - SHORTING N - NON SHORTING	L - SOLDER LUG R - REAR P.C.	30° 36° 45° 60°	A - ADJ. (30°,60° ONLY) F - FIXED C - CONT.	SEE CHART "A"	SEE CHART "B"
D6	C - CERAMIC (30°,60°)	01 - MIN.	12 - MAX @ 30° 06 - MAX @ 60°	S - SHORTING N - NON SHORTING	L - SOLDER LUG	30° 60°	A - ADJ. F - FIXED C - CONT.	SEE CHART "A"	SEE CHART "B"

CUSTOMERS SPECIFIED ORDER NUMBER FOR STANDARD OPTIONS

D	6								
		(SPECIFY)	(SPECIFY)	(SPECIFY)	(SPECIFY)	(SPECIFY)	(SPECIFY)	(SPECIFY)	(SPECIFY)

ADDITIONAL OPTIONS

PRINTED BOARD MOUNTING PATTERN



SHAFT, BUSHING, AND FLAT OPTIONS

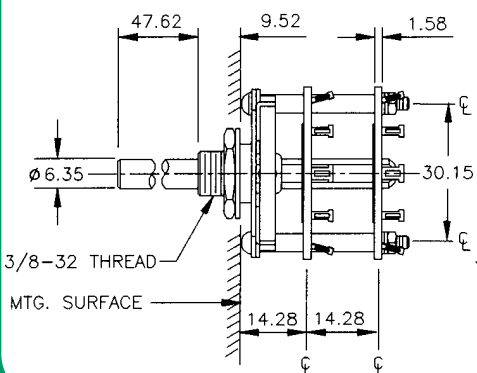
P/N OPT.	SHAFT LGTH. "A"	BUSH. LGTH. "B"
01	9.53	6.35
02	9.53	9.53
03	12.7	6.35
04	12.7	9.53
05	14.29	6.35
06	14.29	9.53
07	19.05	6.35
08	19.05	9.53
09	25.4	6.35
10	25.4	9.53
11	38.1	6.35
12	38.1	9.53
13	47.63	6.35
14	47.63	9.53

P/N OPT.	FLAT ANGLE
B	ROUND
U	15°
W	165°
Y	195°
Z	345°

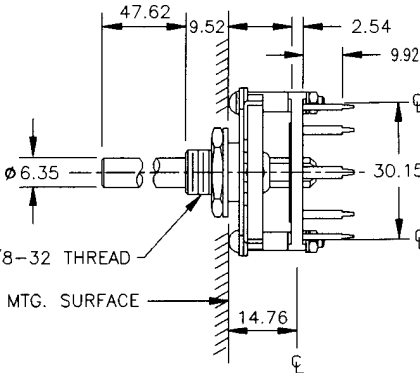
SHAFT AS VIEWED WITH NON-TURN LUG AT 9 O'CLOCK AND SHAFT IN EXTREME CCW POSITION AND STRUT BOLTS ORIENTED VERTICALLY.

INSULATION OPTIONS

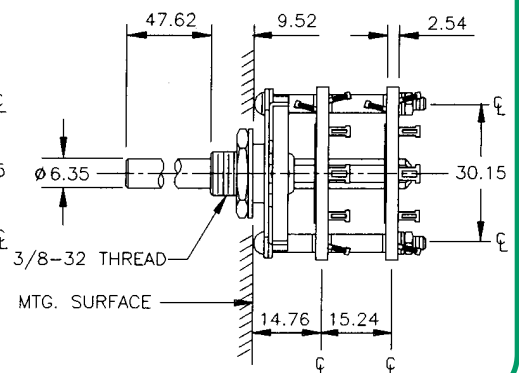
D6G - GLASS EPOXY INSULATION



R REAR P.C.



D6C - CERAMIC CONSTRUCTION



CUSTOM SWITCHES ARE AVAILABLE. CONTACT THE FACTORY WITH YOUR COMPLETE SPECIFICATIONS.