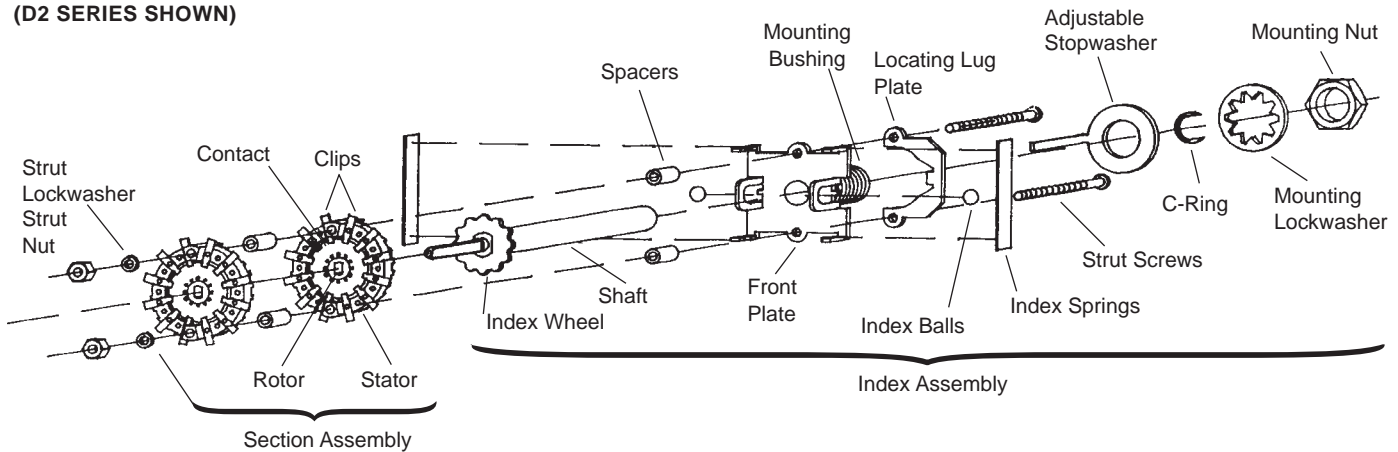


EXPLODED VIEWS AND GLOSSARY

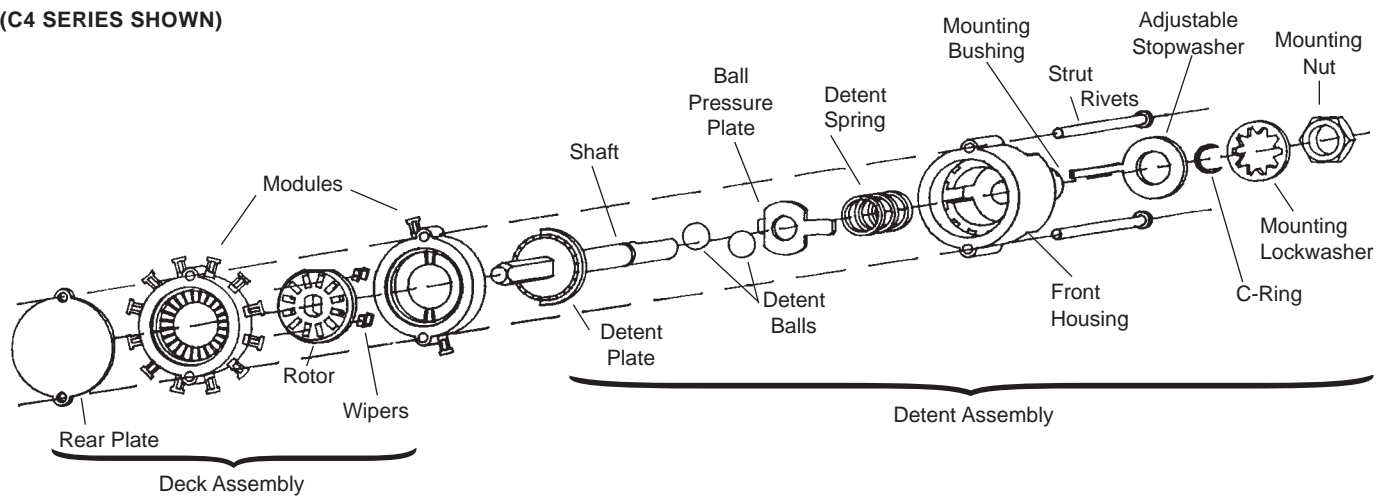
EXAMPLE OF OPEN FRAME CONSTRUCTION

(D2 SERIES SHOWN)



EXAMPLE OF ENCLOSED FRAME CONSTRUCTION

(C4 SERIES SHOWN)



GLOSSARY

Ceramic - Used for stators, an inorganic, non-metallic material processed at high temperatures.

Contact Resistance - The interface resistance between a clip and contact or a wiper and a contact.

Diallyl Phthalate - Used for stators and modules, a thermosetting plastic.

Dielectric Strength - The maximum voltage a section or deck assembly can handle.

Glass Epoxy - Used for stators, a fiberglass material.

Index and Detent Assembly - Performs the mechanical functions of the switch.

Index Angle - The number of degrees between positions.

Insulation Resistance - The resistance of the stator or module between switching components on the stator or module.

Non-Shorting - Also known as break before make.

Pole - An electrically isolated switching circuit. (Common).

Polyester - Used for modules and switch bodies - a thermosetting or thermoplastic resin.

Positions - The mechanical indexing of the electrical circuits. (Throw).

Section and Module Assembly - Performs the electrical functions of the switch.

Shorting - Also known as make before break.

Stop Strength - The maximum rotation force the mechanical stop can facilitate.