

# M7 - SERIES

## SPECIFICATIONS AND ORDERING INFORMATION

63.5 mm SQUARE 0.5 AMPS @ 28 VDC

The M7 Series was originally designed to meet the requirements of MIL-S-3786/15. Standard construction includes 15° indexing up to 24 positions, adjustable stops and solder lug terminals. Switching is available with up to 48 positions. A very reliable switch for critical applications.



### SPECIFICATIONS

#### ELECTRICAL

**Current and Voltage Rating:** Make and break resistive load 0.5 amp @ 28 VDC; 0.125 amp @ 115 VAC.  
**Current Carrying Capacity:** 10 amps.  
**Dielectric Strength:** 1,500 VAC between current carrying parts and ground.  
**Contact Resistance:** Average initial 10 milliohms.  
**Insulation Resistance:** In excess of 1,000,000 megohms

**Hardware:** Mounting nut and lockwasher are shipped assembled.

#### MECHANICAL

**Materials and Finishes:** All parts utilize non-corrosive materials as standard.  
**Clips and Rotors:** Silver alloy composite as standard.  
**Insulation:** Glass epoxy.  
**Index:** Dual-ball, hill and valley design.  
**Index Life:** 25,000 cycles minimum.  
**Index Torque:** Switches have lowest practical torque consistent with crisp detenting and smooth, reliable operation.  
**Index Angles:** Positive 15° standard, 7.5° available.  
**Index Stops:** Adjustable standard, or continuous.  
**Stop Strength:** 5.65 Nm minimum.

### STANDARD PART NUMBER

EPOXY GLASS INSULATION  
ADJUSTABLE STOPS SET @ 2 POS. - SOLDER LUG TERMINALS

SWITCHES - 15° INDEXING

EPOXY GLASS INSULATION  
ADJUSTABLE STOPS SET @ 2 POS. - SOLDER LUG TERMINALS

SWITCHES - 7.5° INDEXING

POLES	ACTIVE POSITIONS	POLES/ SECTION	NO. OF SECTIONS	SHORTING	NON-SHORTING	FIG. *
01	02-24	1	1	.....	M7G0124N	ME
02	02-24	1	2	.....	M7G0224N	ME
02	02-12	2	1	.....	M7G0212N	MF
03	02-24	1	3	.....	M7G0324N	ME
04	02-12	2	2	.....	M7G0412N	MF
03	02-06	3	1	.....	M7G0306N	MG
06	02-12	2	3	.....	M7G0612N	MF
09	02-06	3	3	.....	M7G0906N	MG
12	02-06	4	3	.....	M7G1206N	MH

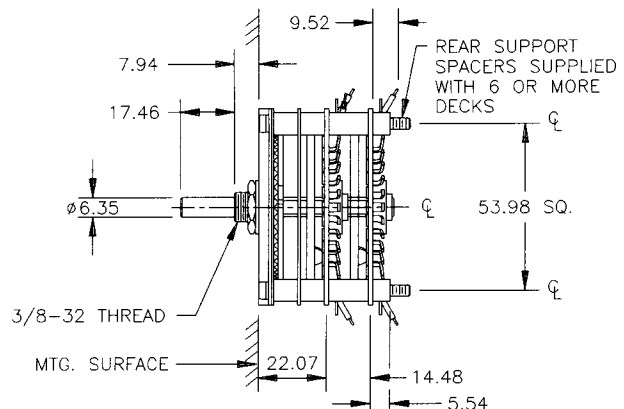
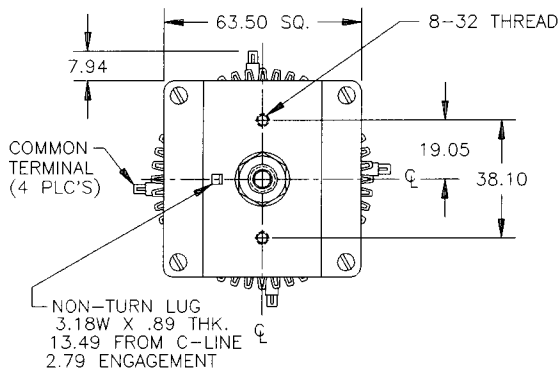
POLES	ACTIVE POSITIONS	POLES/ SECTION	NO. OF SECTIONS	SHORTING	FIG. *
01	02 - 48	1	1	M7G0148S-75	MI

\* FIGURES ARE SHOWN ON PAGE 57.

### DIMENSIONS

#### STANDARD CONSTRUCTION

#### M7G - GLASS EPOXY CONSTRUCTION

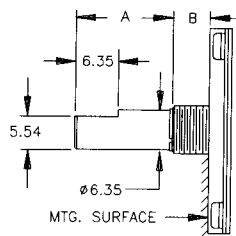


## How to Order Additional Options:

2 DIGIT SERIES	INSULATION TYPE	TOTAL POLES	ACTIVE POSITIONS	CONTACT TYPE	INDEX ANGLE	STOP TYPE	SHAFT/ BUSHING	SHAFT FLAT
M7	G - GLASS	01 - MIN.	48 - MAX @ 7.5°	S - SHORTING	7.5° 15°	A - ADJ. C - CONT.	SEE CHART "A"	SEE CHART "B"
M7	G - GLASS	01 - MIN.	24 - MAX @ 15°	N - NON-SHORTING				

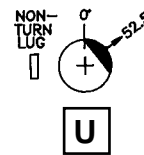
CUSTOMERS SPECIFIED ORDER NUMBER FOR STANDARD OPTIONS					ADDITIONAL OPTIONS			
<b>M</b>	<b>7</b>	<b>G</b>	<input type="text"/>	<input type="text"/>	<input type="checkbox"/>	<input type="checkbox"/>	<input type="checkbox"/>	<input type="checkbox"/>
			(SPECIFY)	(SPECIFY)	(SPECIFY)	(SPECIFY)	(SPECIFY)	(SPECIFY)

### SHAFT, BUSHING, AND FLAT OPTIONS



P/N OPT.	SHAFT LGTH. "A"	BUSH LGTH. "B"
01	17.46	7.94
02	25.4	0

P/N OPT.	FLAT ANGLE
B	ROUND
U	52.5°



SHAFT AS VIEWED WITH NON-TURN LUG AT 9 O'CLOCK AND SHAFT IN EXTREME CCW POSITION AND STRUT BOLTS ORIENTED VERTICALLY.

CUSTOM SWITCHES ARE AVAILABLE. CONTACT THE FACTORY WITH YOUR COMPLETE SPECIFICATIONS.