

OPEN FRAME WORKSHEET

SERIES PREFERRED _____

ELECTRICAL REQUIREMENTS:

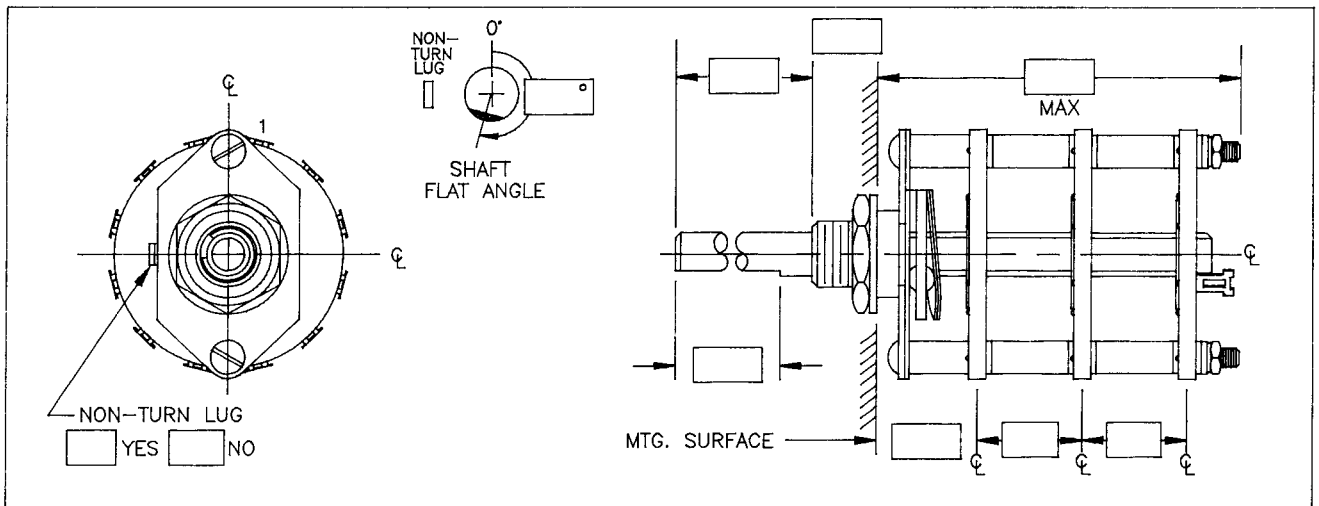
SHORTING OR NON-SHORTING

CURRENT CARRYING CAPACITY _____

INTERRUPTING CURRENT _____

MAXIMUM WORKING VOLTAGE _____

ADDITIONAL REQUIREMENTS: _____



NOTES: SEE APPROPRIATE CATALOG PAGES FOR STANDARD DIMENSIONS AND OPTIONS.

MECHANICAL REQUIREMENTS:

NO. OF POSITIONS _____

NO. OF POLES _____

TERMINAL TYPE _____

INDEX ANGLE _____

Estimated usage _____

ADDITIONAL REQUIREMENTS: _____



ELECTROSWITCH
• ELECTRONIC PRODUCTS
UNIT OF ELECTRO SWITCH CORP.

2010 YONKERS ROAD, RALEIGH, NC 27604
USA

Sender Information

Date: _____ Time: _____

Name: _____

Company: _____

Address: _____

Ph #: _____

Fax #: _____

FAX TRANSMISSION