

ENCLOSED FRAME WORKSHEET

SERIES PREFERRED _____

ELECTRICAL REQUIREMENTS:

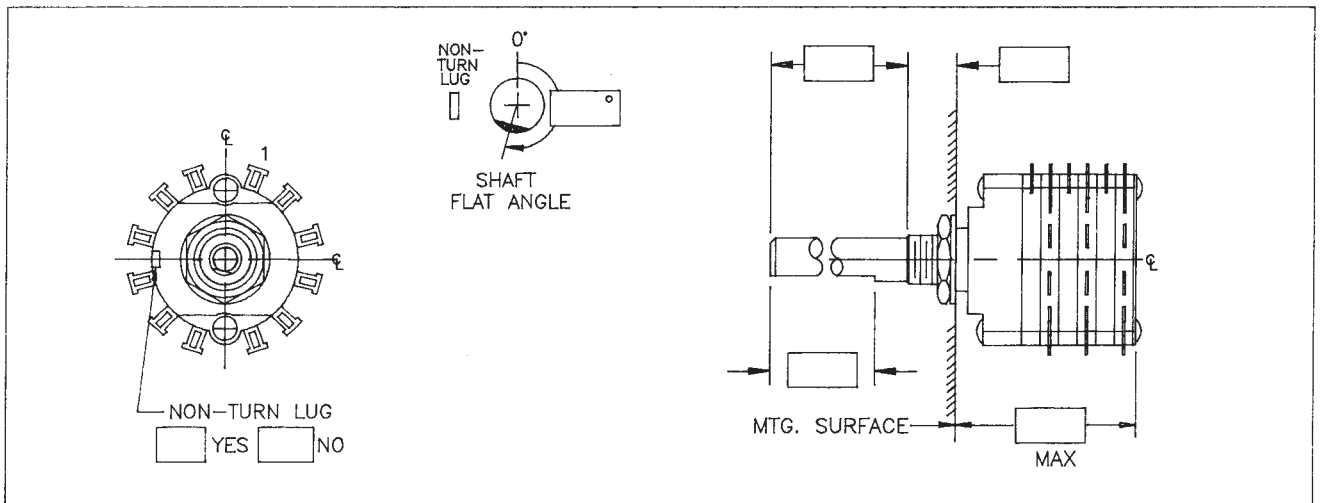
SHORTING OR NON-SHORTING

CURRENT CARRYING CAPACITY _____

INTERRUPTING CURRENT _____

MAXIMUM WORKING VOLTAGE _____

ADDITIONAL REQUIREMENTS: _____



NOTES: SEE APPROPRIATE CATALOG PAGES FOR STANDARD DIMENSIONS AND OPTIONS.

MECHANICAL REQUIREMENTS:

NO. OF POSITIONS _____

NO. OF POLES _____

TERMINAL TYPE _____

INDEX ANGLE _____

Estimated usage _____

ADDITIONAL REQUIREMENTS:



ELECTROSWITCH
 • ELECTRONIC PRODUCTS
 UNIT OF ELECTRO SWITCH CORP.

2010 YONKERS ROAD, RALEIGH, NC 27604

FAX Numbers:
 (919) 833-8016
 (800) 909-9171
 FOR ASSISTANCE
 PLEASE CALL:
 (919) 833-0707
 (888) ROTARYS

Sender Information

Date: _____ Time: _____
 Name: _____
 Company: _____
 Address: _____

 Ph #: _____
 Fax #: _____

FAX TRANSMISSION