

6MLR Type

Electroswitch realizes the importance of the "right" feel required by guitarists and has continually designed and developed lever switches to provide a superior product.

For over three decades, our three and five position lever switches have been tested and refined to meet the needs and desires of guitar players all over the world. Electroswitch's patented "T" slugs secure solder-lug clips to the stator.

Specifications

Electrical Characteristics

Current and Voltage Ratings

Resistive load. Silver plated brass, make and break;
1.5 amp at 28 VDC, .230 amp at 115 VAC RMS
.22 amp at 100 VDC, 1.75 amp at 24 VAC RMS

Current Carrying Capacity

Silver plated brass: 9 amps

Dielectric Strength

1,500 VAC between critical parts and ground

Contact Resistance

Silver plated parts: average initial 3 milliohms

Mechanical Characteristics

Index

The frame uses indexing bumps of the Hill & Valley type to ensure positive indexing at each of the positions available. A single roller type bearing of Type 303 stainless steel to ensure positive engagement with the indexing valleys of the frame.

Contact Staking

Solder-lug clips are secured to the stator using Electroswitch's patented "T" slugs

Insulation/Temperature/Levers

Insulation

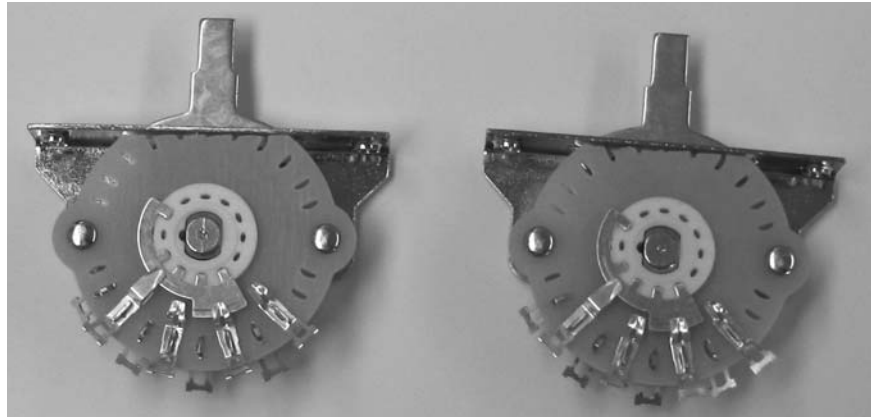
Glass epoxy

Temperature

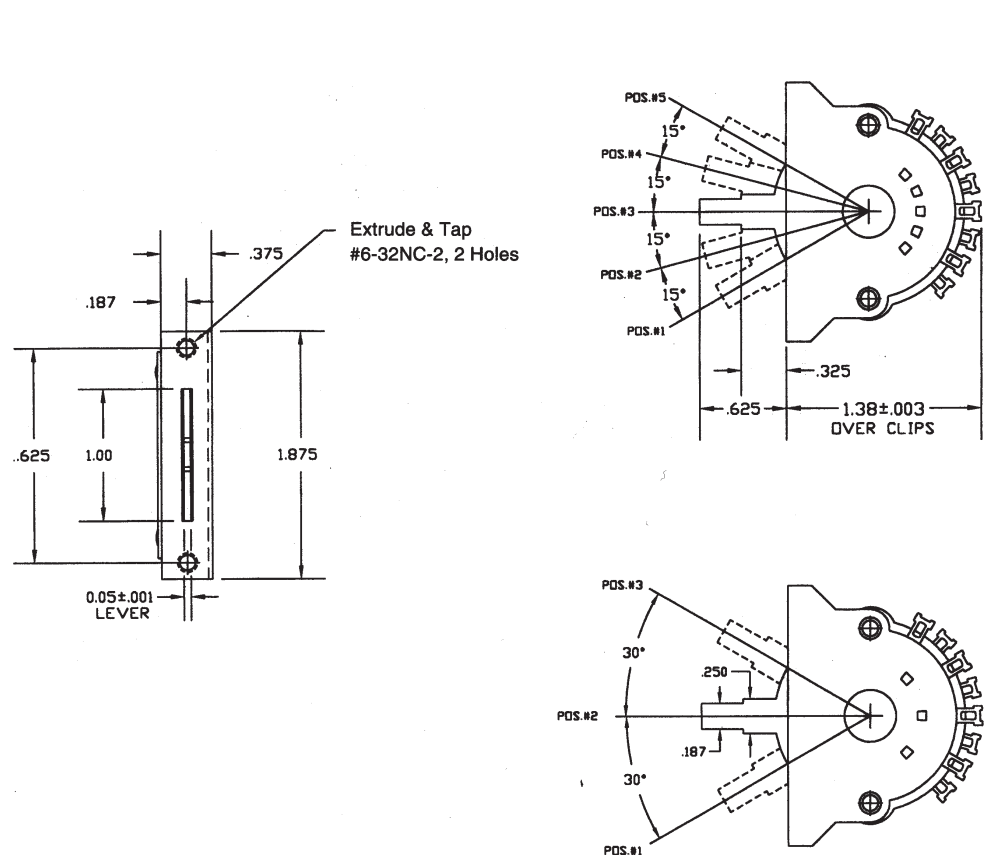
Standard commercial -25°C to +85°C

Levers

Uses standard push button switch knobs that fit a .187" x .050" dimension



6MLR Type Drawing



6MLR Type Switch Assemblies

Part Number	Positions	Poles	Detent Angle	Lever Length
51992	3	2	30°	.625"
51993	5	2	15°	.625"
51973	4	2	22.5°	.625"